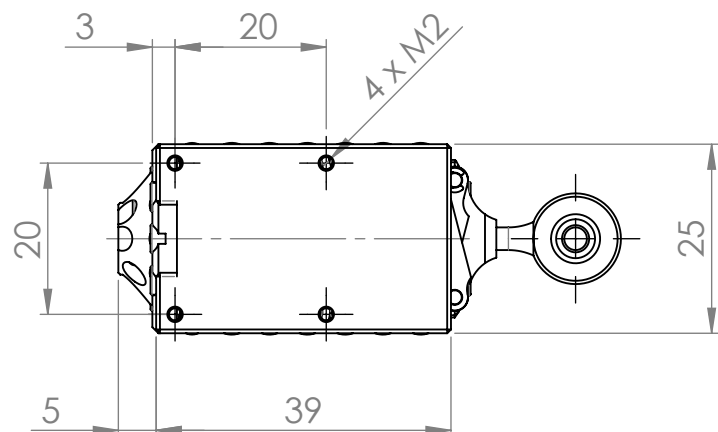
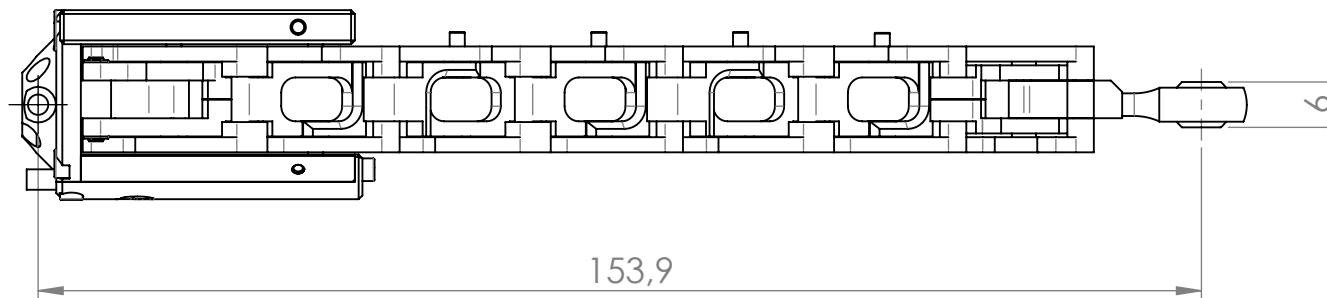
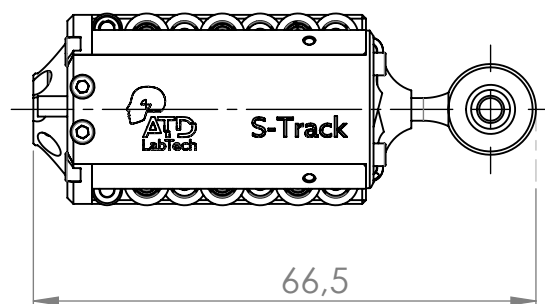
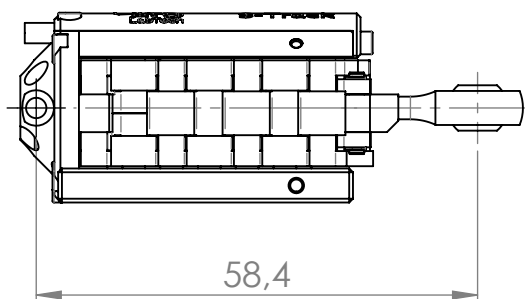


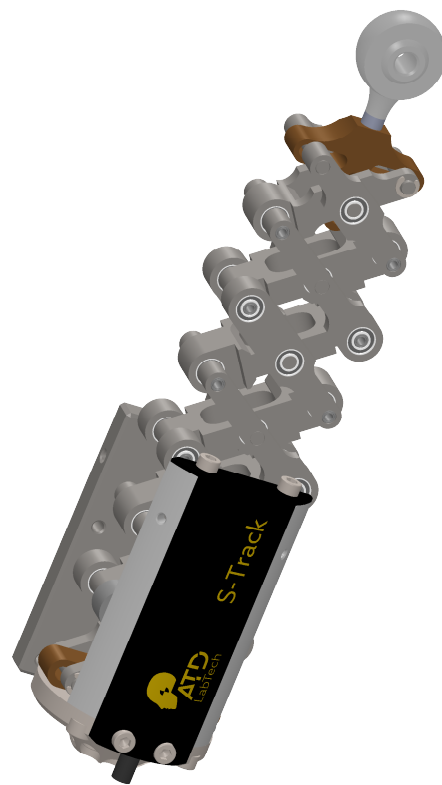
FULLY EXTENDED



FULLY COLLAPSED



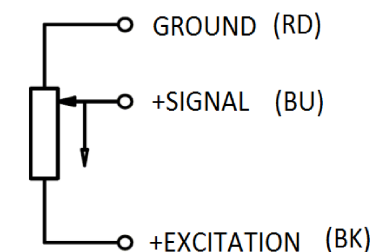
ALTERNATIVE FOR IR-TRACC IF-372



**SPECIFICATIONS**

|                            |                                |
|----------------------------|--------------------------------|
| TOTAL MECHANICAL TRAVEL:   | 95 mm                          |
| TOTAL MEASURING RANGE:     | 95 mm                          |
| PRE/POST TRAVEL:           | 0 mm                           |
| OPERATING SPEED:           | max 20 m/s                     |
| TOTAL RESISTANCE:          | 1000 Ohms $\pm$ 20 %           |
| MAX. APPLIED VOLTAGE:      | 42 V DC                        |
| RECOMMENDED WIPER CURRENT: | < 1 $\mu$ A                    |
| INTERFACE:                 | VOLTAGE DIVIDER                |
| RESOLUTION:                | INFINITE                       |
| OPERATING TEMPERATURE:     | + 10 °C to + 30 °C             |
| INDEPENDENT LINEARITY:     | < $\pm$ 1 %                    |
| WEIGHT:                    | 120 g $\pm$ 10 g (LESS CABLES) |
| HYSTERESIS:                | < 1 %                          |
| REPEATABILITY:             | < 0,1 mm                       |
| SHOCK RESISTANCE:          | 200 g                          |

**PIN DESIGNATION**



**VOLTAGE DIVIDER FREE OF LOAD!**

COLOUR ABBREVIATIONS ACCORDING TO VDE AND IEC 60757

The S-Track is a linear potentiometric displacement transducer

All values specified in this data sheet for linearity and lifetime are only valid for a sensor used as a voltage divider with virtually no load applied to the wiper (I<sub>e</sub> < 1  $\mu$ A)

Weitergabe sowie Vervielfältigung dieser Zeichnung, Verwertung und Mitteilung seines Inhalts sind nur mit ausdrücklicher Erlaubnis durch die ATD-LabTech GmbH gestattet.

Publishing and reproduction of this drawing, as well as the utilization and communication of its contents are only permitted with the explicit permission of ATD-LabTech GmbH.

|                                      |            |                  |      |                        |  |                                               |  |              |  |
|--------------------------------------|------------|------------------|------|------------------------|--|-----------------------------------------------|--|--------------|--|
| Ersatz für:                          |            | Material:        |      | Halbzeug:              |  | Datum                                         |  | Name         |  |
| Allgemeintoleranzen DIN ISO 2768-mK  |            | material:        |      | semi finished product: |  | gez. 03.12.2019                               |  | C. Szingsnis |  |
| Projektionsmethode 1                 |            | Gewicht (kg):    |      | Art.-Nr.: 20_101       |  | gepr.                                         |  |              |  |
| Schutzvermerk DIN ISO 16016 beachten |            | weight:          |      |                        |  |                                               |  |              |  |
|                                      |            | Benennung:       |      | S-Track Q10 - 90mm     |  |                                               |  |              |  |
|                                      |            | description:     |      |                        |  |                                               |  |              |  |
|                                      |            | Blatt-Nr./Anzahl |      | Zeichnungs-Nr.         |  |                                               |  |              |  |
|                                      |            | 1 / 1            |      | drawing number:        |  | B20_101_01.00                                 |  |              |  |
|                                      |            | Format           |      | Maßstab                |  | letzte Speicherung durch: christoph.szingsnis |  |              |  |
|                                      |            | A3               |      | 1:1                    |  | Pfad: R:\CADIB04_S-TRACK\B20_101_010 S-Track  |  |              |  |
| Index                                | Änderungen | Datum            | Name |                        |  |                                               |  |              |  |

