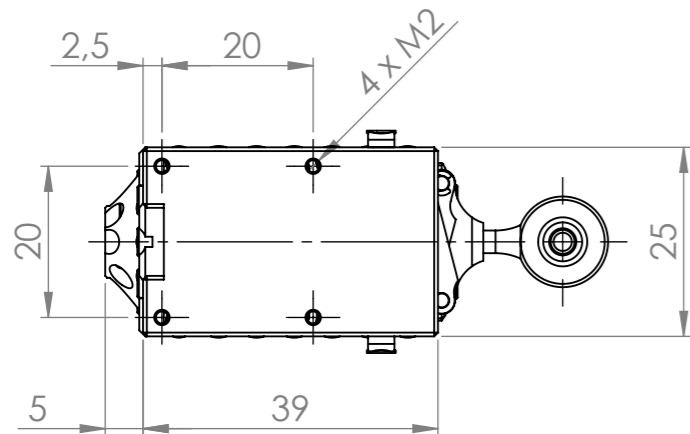
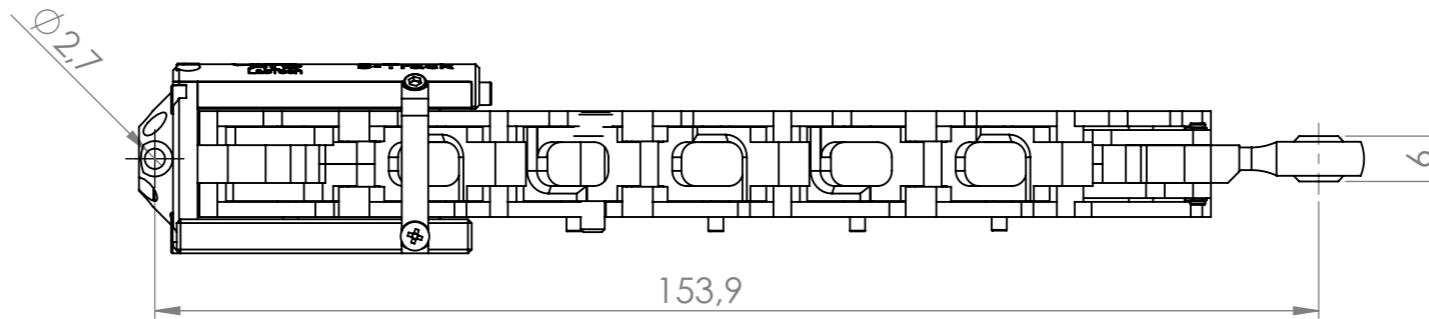
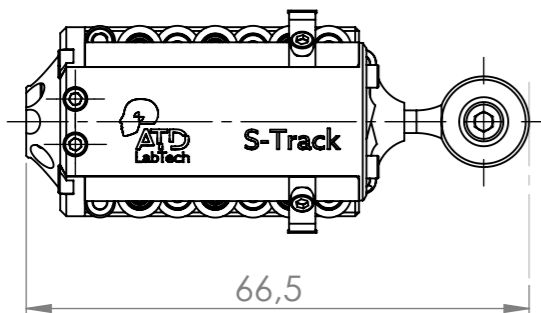
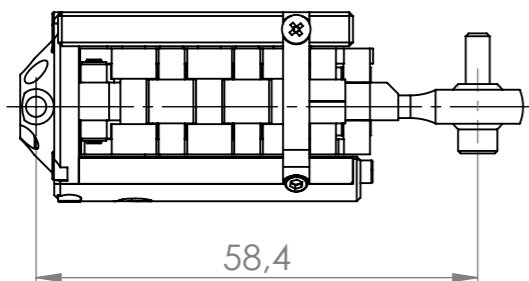


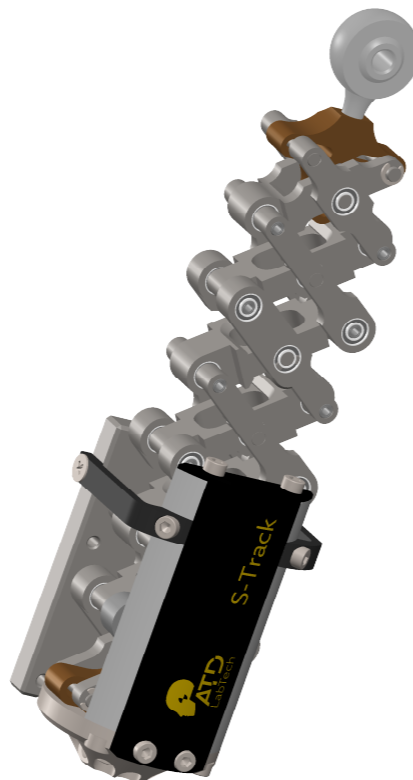
FULLY EXTENDED



FULLY COLLAPSED



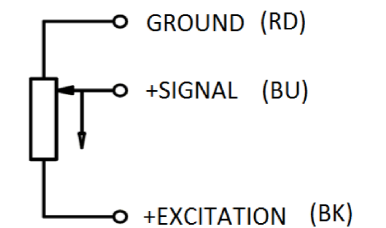
ALTERNATIVE FOR IR-TRACC IF-367 / IF-368 and IR-TRACC IF-371



SPECIFICATIONS

TOTAL MECHANICAL TRAVEL:	95 mm
TOTAL MEASURING RANGE:	95 mm
PRE/POST TRAVEL:	0 mm
OPERATING SPEED:	max 20 m/s
TOTAL RESISTANCE:	1000 Ohms ± 20 %
MAX. APPLIED VOLTAGE:	42 V DC
RECOMMENDED WIPER CURRENT:	< 1 µA
INTERFACE:	VOLTAGE DIVIDER
RESOLUTION:	INFINITE
OPERATING TEMPERATURE:	+ 10 °C to + 30 °C
INDEPENDENT LINEARITY:	< ± 1 %
WEIGHT:	120 g ± 10 g (LESS CABLES)
HYSTERESIS:	< 1 %
REPEATABILITY:	< 0,1 mm
SHOCK RESISTANCE:	200 g

PIN DESIGNATION



VOLTAGE DIVIDER FREE OF LOAD!

COLOUR ABBREVIATIONS ACCORDING TO VDE AND IEC 60757

The S-Track is a linear potentiometric displacement transducer

All values specified in this data sheet for linearity and lifetime are only valid for a sensor used as a voltage divider with virtually no load applied to the wiper (Ie < 1 µA)

Weitergabe sowie Vervielfältigung dieser Zeichnung, Verwertung und Mitteilung seines Inhalts sind nur mit ausdrücklicher Erlaubnis durch die ATD-LabTech GmbH gestattet.

Publishing and reproduction of this drawing, as well as the utilization and communication of its contents are only permitted with the explicit permission of ATD-LabTech GmbH.

Ersatz für: B100201				Material: material:		Halbzeug: semi finished product:		Datum		Name	
Allgemeintoleranzen DIN ISO 2768-mK								gez. 07.11.2016		C. Szingsnis	
Projektionsmethode 1								gepr. 14.12.2016		G. Pfeifer	
Schutzvermerk DIN ISO 16016 beachten				Gewicht (kg): 0.12 weight:		Art.-Nr.: 20_200					
				Benennung: description:		S-Track - WorldSID - 90 mm					
04 description changed 29.01.2020 C. Szingsnis				Blatt-Nr./Anzahl 1 / 1		Zeichnungs-Nr. drawing number: B04_001_002.03					
03 description changed 03.12.2019 C. Szingsnis				Format format		Maßstab scale		letzte Speicherung durch: christoph.szingsnis R:\CAD\B04_S-TRACK\B20_200_WS_S-Track 90 Pfad: mm_B04_001_002			
02 Assembly updated 07.07.2018 P.Borkus				A3		1:2					
01 wire colours according to ICE 60757 weight tolerance +/- 10g 20.04.2017 C. Szingsnis				Index		Änderungen		Datum		Name	

