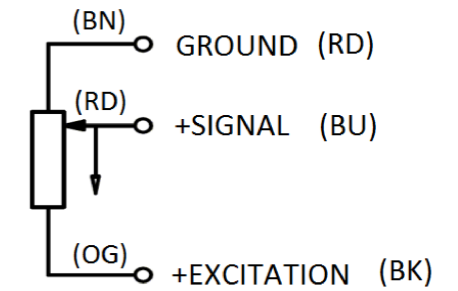


SPECIFICATIONS ROTATION Z Pot

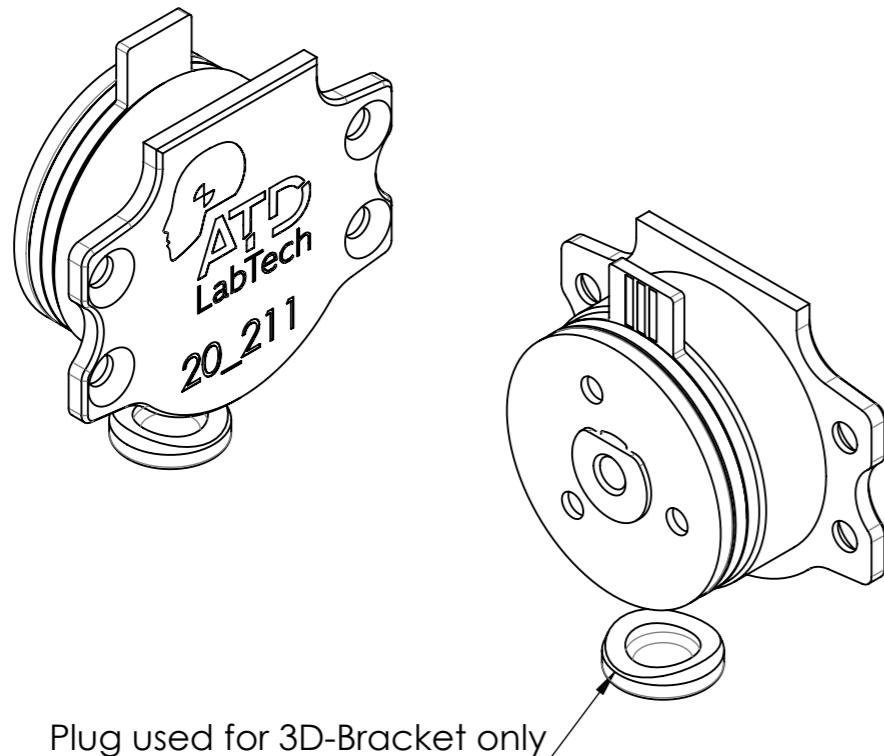
TOTAL MECHANICAL TRAVEL:	360° (without stop)
TOTAL MEASURING RANGE:	280° ± 3°
PRE/POST TRAVEL:	0°
OPERATING SPEED:	max 3600 °/s
TOTAL RESISTANCE:	5000 Ohms ± 20 %
MAX. APPLIED VOLTAGE:	42 V DC
RECOMMENDED WIPER CURRENT:	< 1 µA
INTERFACE:	VOLTAGE DIVIDER
RESOLUTION:	INFINITE
OPERATING TEMPERATURE:	-25 °C to + 75 °C
INDEPENDENT LINEARITY:	± 1 %
WEIGHT:	8,5 g ± 2 g (LESS CABLES)
HYSTERESIS:	max. 0,6°
REPEATABILITY:	max. 0,3°
SHOCK RESISTANCE:	490 m/s ²

PIN DESIGNATION POT Z



VOLTAGE DIVIDER FREE OF LOAD!

COLOUR ABBREVIATIONS ACCORDING TO VDE AND IEC 60757
LEFT COLOUR: SENSOR INSIDE
RIGHT COLOUR: SENSOR OUTSIDE



Plug used for 3D-Bracket only

ALTERNATIVE FOR Potentiometer PD 210-5K0

All values specified in this data sheet for linearity and lifetime are only valid for a sensor used as a voltage divider with virtually no load applied to the wiper (I_e < 1 µA)

Weitergabe sowie Vervielfältigung dieser Zeichnung, Verwertung und Mitteilung seines Inhalts sind nur mit ausdrücklicher Erlaubnis durch die ATD-LabTech GmbH gestattet.			
Publishing and reproduction of this drawing, as well as the utilization and communication of its contents are only permitted with the explicit permission of ATD-LabTech GmbH .			
Allgemeintoleranzen DIN ISO 2768-mK		Material: material:	Art.-Nr.: 20_211
Projektionsmethode 1 Schutzvermerk DIN ISO 16016 beachten		Gewicht (kg): weight:	Datum gez. 13.08.2019
		Benennung: description: Potentiometer WS 2D/3D -Bracket	Name P. Borkus
		Blatt-Nr./Anzahl 1 / 1	Zeichnungs-Nr. drawing number: B20_211_001.00
		Format format A3	Maßstab scale 2:1
		letzte Speicherung durch: Peter.Borkus Pfad: R:\CAD\B04_S-TRACK\B20_211_WS-50th_Poti-Adaption-WAL2001	
Index	Änderungen	Datum	Name

