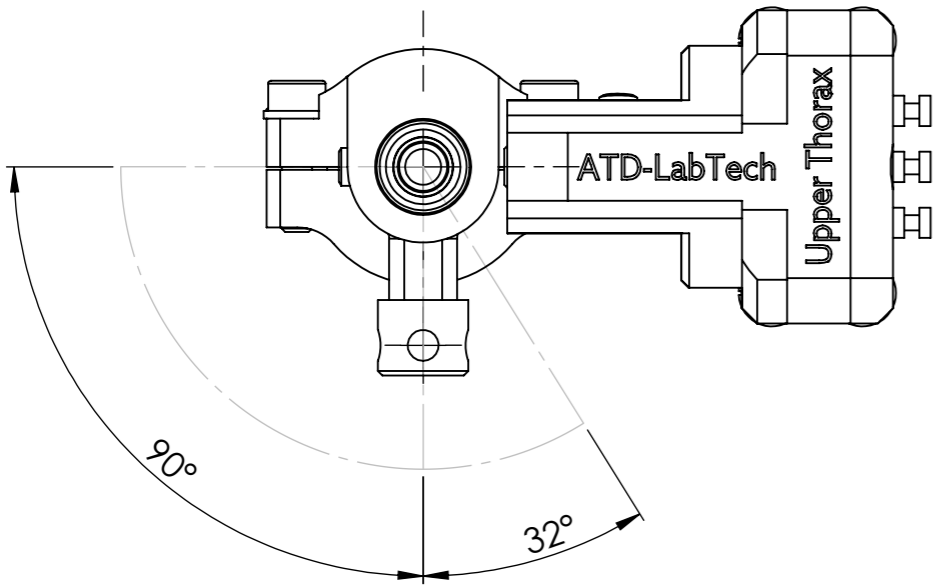


ROTATION A

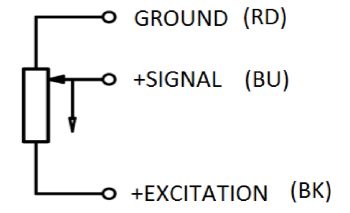


ALTERNATIVE FOR PART NO. 472-3560 W/O OFFSET

SPECIFICATIONS

TOTAL MECHANICAL TRAVEL:	122° (ROTATION A) 80° (ROTATION B)
TOTAL MEASURING RANGE:	122° (ROTATION A) 80° (ROTATION B)
PRE/POST TRAVEL:	0°
OPERATING SPEED:	max 3600 °/s
TOTAL RESISTANCE:	5000 Ohms ± 20 %
MAX. APPLIED VOLTAGE:	42 V DC
RECOMMENDED WIPER CURRENT:	< 1 µA
INTERFACE:	VOLTAGE DIVIDER
RESOLUTION:	INFINITE
OPERATING TEMPERATURE:	+ 10 °C to + 30 °C
INDIPENDENT LINEARITY:	< ± 1,0 %
WEIGHT:	30 g ± 10 g (LESS CABLES)
HYSTERESIS:	< 1 %
REPEATABILITY:	< 0,1°
SHOCK RESISTANCE:	200 g

PIN DESIGNATION POT A + POT B



VOLTAGE DIVIDER FREE OF LOAD!
COLOUR ABBREVIATIONS ACCORDING TO VDE AND IEC 60757

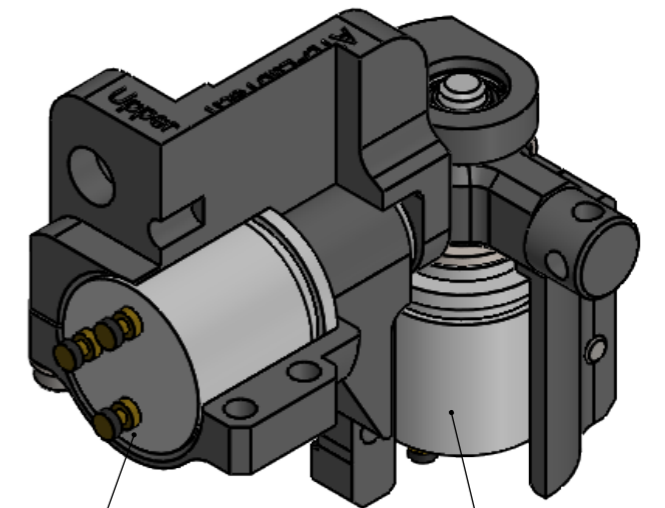
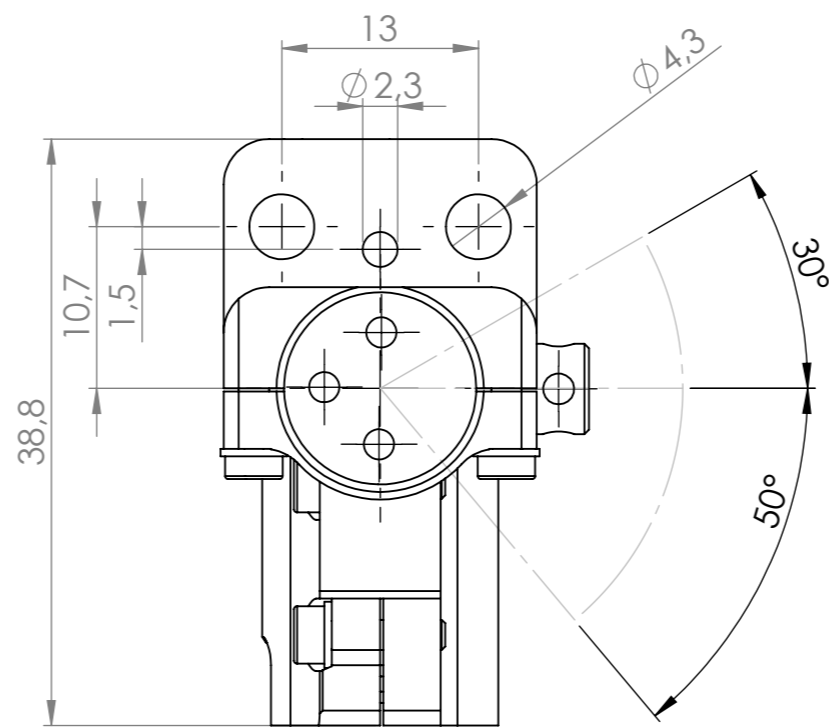
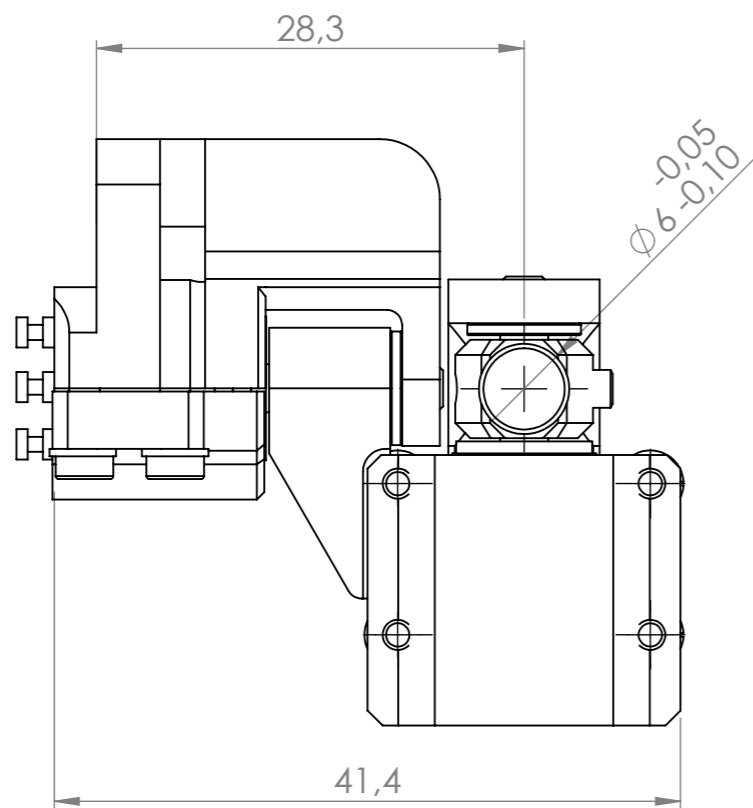
The 3D-Bracket - w/o Offset - THOR-50th upper Thorax is a linear rotation transducer

All values specified in this data sheet for linearity and lifetime are only valid for a sensor used as a voltage divider with virtually no load applied to the wiper (Ie < 1 µA)

Weitergabe sowie Vervielfältigung dieser Zeichnung, Verwertung und Mitteilung seines Inhalts sind nur mit ausdrücklicher Erlaubnis durch die ATD-LabTech GmbH gestattet.
Publishing and reproduction of this drawing, as well as the utilization and communication of its contents are only permitted with the explicit permission of ATD-LabTech GmbH.

Ersatz für:		Material:		Halbzeug:		Datum		Name	
Allgemeintoleranzen DIN ISO 2768-mK		material:		semi finished product:		gez. 19.10.2016		C. Szingsnis	
Projektionsmethode 1		Gewicht (g): 34.00		Art.-Nr.: 20_302		gepr. 09.11.2016		G. Pfeifer	
Schutzvermerk DIN ISO 16016 beachten		weight:							
		Benennung:		3D-Bracket - w/o Offset - THOR-50th upper Thorax-right					
		description:				Blatt-Nr./Anzahl		Zeichnungs-Nr.	
						1 / 1		drawing number:	
						Format		B04 001 011.02	
						Maßstab		letzte Speicherung durch: christoph.szingsnis	
						2:1		Pfäd: right_B04_001_011	
02 recommended wiper current from 1mA to 1 µA		06.10.2017		C. Szingsnis					
01 wire colours according to ICE 60757 weight tolerance +/- 10g		20.04.2017		C. Szingsnis					
Index		Änderungen		Datum		Name			

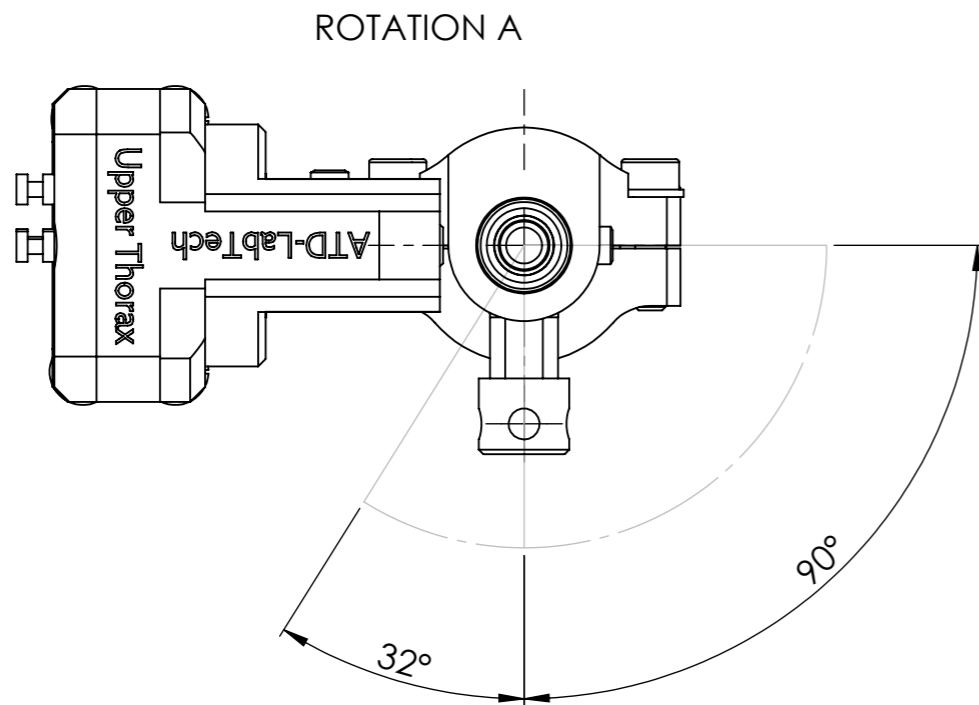




SENSOR
ROTATION POT B

SENSOR
ROTATION POT A

ROTATION B

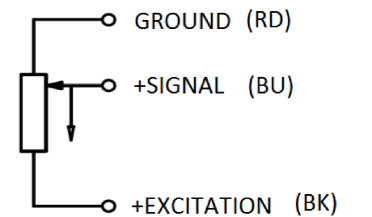


ROTATION A

SPECIFICATIONS

TOTAL MECHANICAL TRAVEL:	122° (ROTATION A) 80° (ROTATION B)
TOTAL MEASURING RANGE:	122° (ROTATION A) 80° (ROTATION B)
PRE/POST TRAVEL:	0°
OPERATING SPEED:	max 3600 °/s
TOTAL RESISTANCE:	5000 Ohms ± 20 %
MAX. APPLIED VOLTAGE:	42 V DC
RECOMMENDED WIPER CURRENT:	< 1 µA
INTERFACE:	VOLTAGE DIVIDER
RESOLUTION:	INFINITE
OPERATING TEMPERATURE:	+ 10 °C to + 30 °C
INDEPENDENT LINEARITY:	< ± 1,0 %
WEIGHT:	30 g ± 10 g (LESS CABLES)
HYSTERESIS:	< 1 %
REPEATABILITY:	< 0,1°
SHOCK RESISTANCE:	200 g

PIN DESIGNATION POT A + POT B



VOLTAGE DIVIDER FREE OF LOAD!

COLOUR ABBREVIATIONS ACCORDING TO VDE AND IEC 60757

The 3D-Bracket - w/o Offset - THOR-50th upper Thorax is a linear rotation transducer

All values specified in this data sheet for linearity and lifetime are only valid for a sensor used as a voltage divider with virtually no load applied to the wiper (Ie < 1 µA)

Weitergabe sowie Vervielfältigung dieser Zeichnung, Verwertung und Mitteilung seines Inhalts sind nur mit ausdrücklicher Erlaubnis durch die ATD-LabTech GmbH gestattet.
Publishing and reproduction of this drawing, as well as the utilization and communication of its contents are only permitted with the explicit permission of ATD-LabTech GmbH.

Ersatz für:		Material:		Halbzeug:		Datum		Name	
Allgemeintoleranzen DIN ISO 2768-mK		material:		semi finished product:		gez. 14.10.2016		C. Szingsnis	
Projektionsmethode 1		Gewicht (g): 33.53		Art.-Nr.: 20_303		gepr. 09.11.2016		G. Pfeifer	
Schutzvermerk DIN ISO 16016 beachten		weight:							
		Benennung:		3D-Bracket - w/o Offset - THOR-50th upper Thorax-left					
		description:				Blatt-Nr./Anzahl		Zeichnungs-Nr.	
						1 / 1		drawing number:	
						Format		Maßstab	
						A3		2:1	
						letzte Speicherung durch: christoph.szingsnis		Pfäd: left_B04_001_010	
02 recommended wiper current from 1 mA to 1 µA		06.10.2017		C. Szingsnis					
01 wire colours according to ICE 60757 weight tolerance +/- 10g		20.04.2017		C. Szingsnis					
Index		Änderungen		Datum		Name			

ALTERNATIVE FOR PART NO. 472-3550 W/O OFFSET

