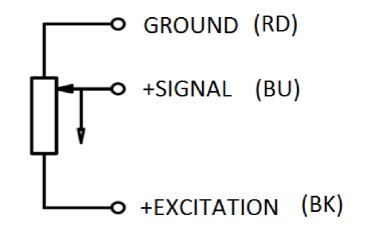


ALTERNATIVE FOR PART NO. 472-3570 W/O OFFSET

SPECIFICATIONS

TOTAL MECHANICAL TRAVEL:	122° (ROTATION A) 80° (ROTATION B)
TOTAL MEASURING RANGE:	122° (ROTATION A) 80° (ROTATION B)
PRE/POST TRAVEL:	0°
OPERATING SPEED:	max 3600 °/s
TOTAL RESISTANCE:	5000 Ohms ± 20 %
MAX. APPLIED VOLTAGE:	42 V DC
RECOMMENDED WIPER CURRENT:	< 1 µA
INTERFACE:	VOLTAGE DIVIDER
RESOLUTION:	INFINITE
OPERATING TEMPERATURE:	+ 10 °C to + 30 °C
INDEPENDENT LINEARITY:	< ± 1,0 %
WEIGHT:	30 g ± 10 g (LESS CABLES)
HYSTERESIS:	< 1 %
REPEATABILITY:	< 0,1°
SHOCK RESISTANCE:	200 g

PIN DESIGNATION POT A + POT B



VOLTAGE DIVIDER FREE OF LOAD!

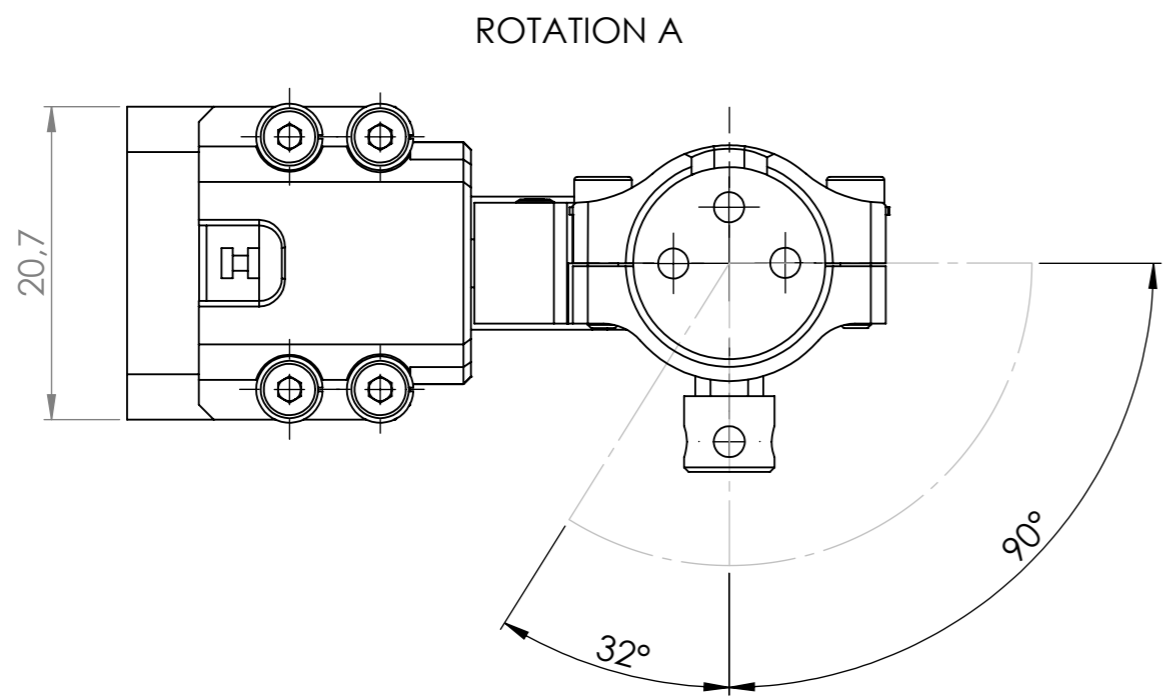
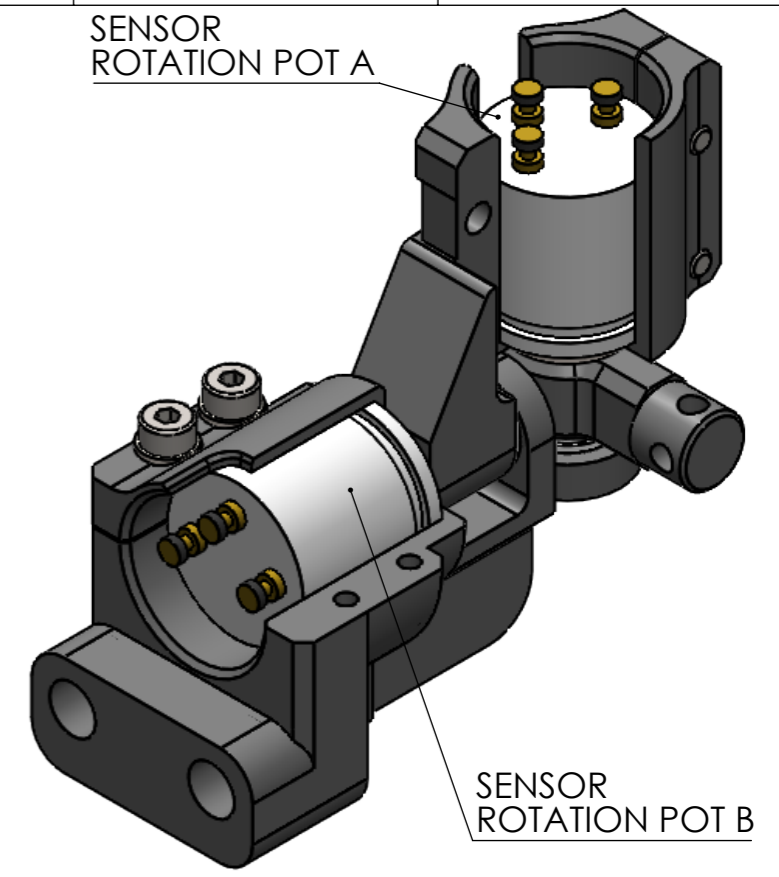
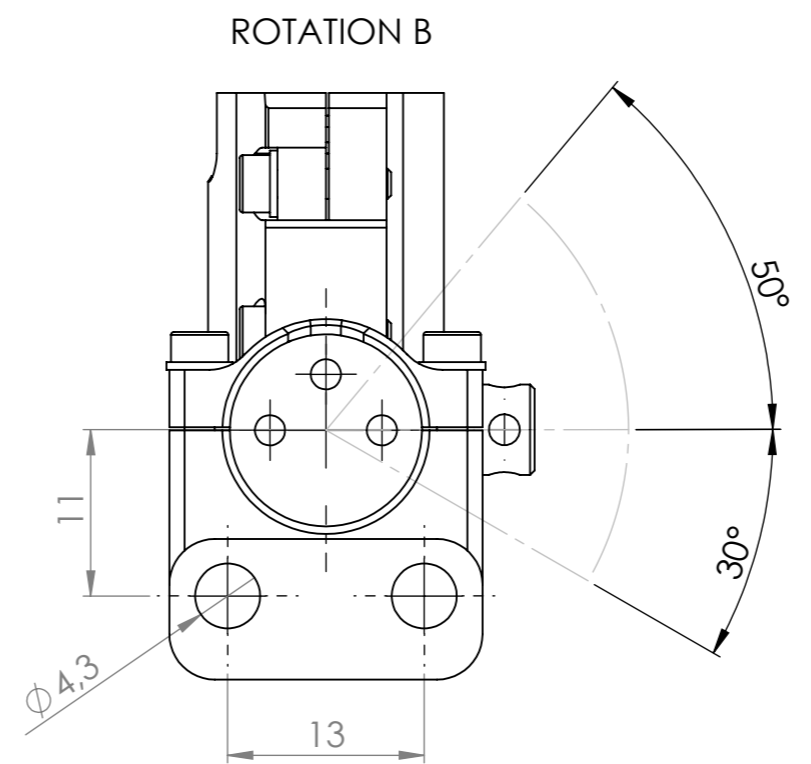
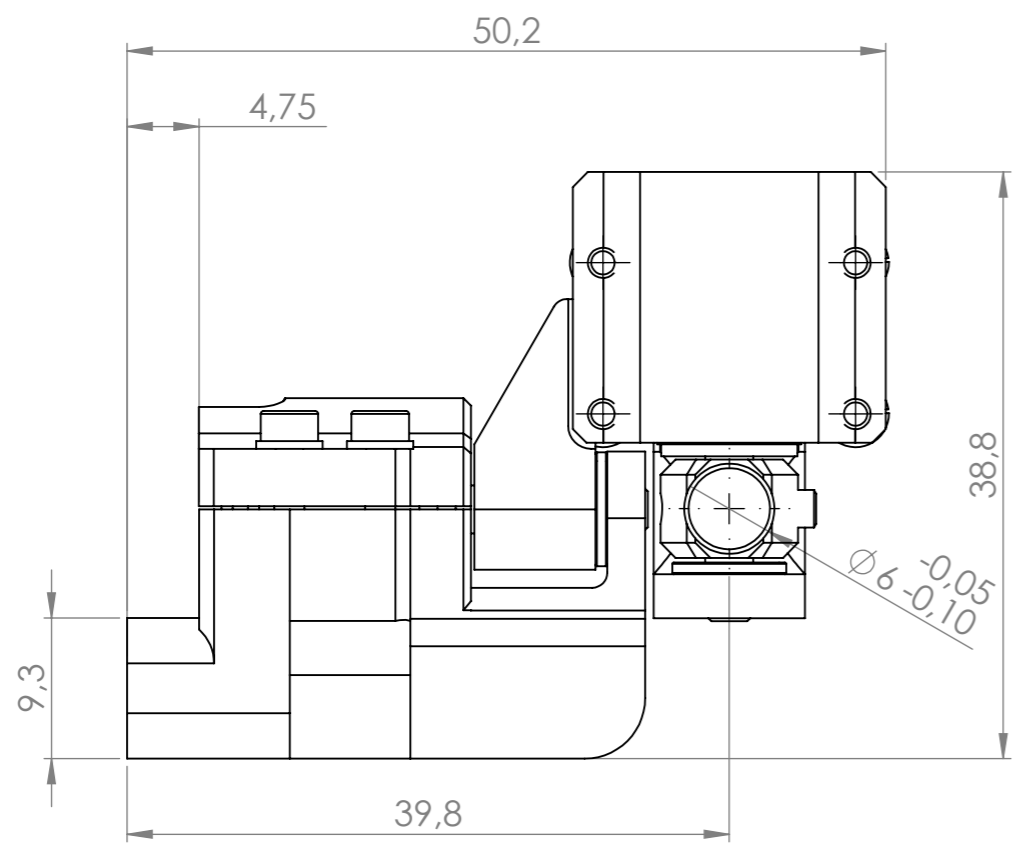
COLOUR ABBREVIATIONS ACCORDING TO VDE AND IEC 60757

The 3D-Bracket - w/o Offset - THOR-50th lower Thorax is a linear rotation transducer

All values specified in this data sheet for linearity and lifetime are only valid for a sensor used as a voltage divider with virtually no load applied to the wiper (Ie < 1 µA)

Weitergabe sowie Vervielfältigung dieser Zeichnung, Verwertung und Mitteilung seines Inhalts sind nur mit ausdrücklicher Erlaubnis durch die ATD-LabTech GmbH gestattet.			
Publishing and reproduction of this drawing, as well as the utilization and communication of its contents are only permitted with the explicit permission of ATD-LabTech GmbH .			
Ersatz für: Allgemeintoleranzen DIN ISO 2768-mK Projektionsmethode 1 Schutzvermerk DIN ISO 16016 beachten		Material: material: Gewicht (g): 38.56 weight:	Halbzeug: semi finished product: Art.-Nr.: 20_304
		Benennung: description: 3D-Bracket - w/o Offset - THOR-50th lower Thorax-right	Datum Name gez. 19.10.2016 C. Szingsnis gepr. 09.11.2016 G. Pfeifer
03	Drillings adjusted	17.06.2019	C. Szingsnis
02	recommended wiper current from 1 mA to 1 µA	06.10.2017	C. Szingsnis
01	wire colours according to ICE 60757 weight tolerance +/- 10g	20.04.2017	C. Szingsnis
Index	Änderungen	Datum	Name
		Blatt-Nr./Anzahl 1 / 1	Zeichnungs-Nr. drawing number: B04_001_013.03
		Format format A3	Maßstab scale 2:1
letzte Speicherung durch: christoph.szingsnis R:\CAD\B04_S-TRACK\B20_304_TH 3D-Adapter - Lower Thorax Pfad: right_B04_001_013			

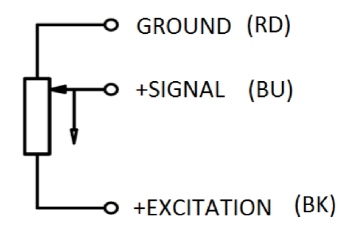




SPECIFICATIONS

TOTAL MECHANICAL TRAVEL:	122° (ROTATION A) 80° (ROTATION B)
TOTAL MEASURING RANGE:	122° (ROTATION A) 80° (ROTATION B)
PRE/POST TRAVEL:	0°
OPERATING SPEED:	max 3600 °/s
TOTAL RESISTANCE:	5000 Ohms ± 20 %
MAX. APPLIED VOLTAGE:	42 V DC
RECOMMENDED WIPER CURRENT:	< 1 µA
INTERFACE:	VOLTAGE DIVIDER
RESOLUTION:	INFINITE
OPERATING TEMPERATURE:	+ 10 °C to + 30 °C
INDEPENDENT LINEARITY:	< ± 1,0 %
WEIGHT:	30 g ± 10 g (LESS CABLES)
HYSTERESIS:	< 1 %
REPEATABILITY:	< 0,1°
SHOCK RESISTANCE:	200 g

PIN DESIGNATION POT A + POT B



VOLTAGE DIVIDER FREE OF LOAD!
COLOUR ABBREVIATIONS ACCORDING TO VDE AND IEC 60757

The 3D-Bracket - w/o Offset - THOR-50th lower Thorax is a linear transducer

All values specified in this data sheet for linearity and lifetime are only valid for a sensor used as a voltage divider with virtually no load applied to the wiper (Ie < 1 µA)

Weitergabe sowie Vervielfältigung dieser Zeichnung, Verwertung und Mitteilung seines Inhalts sind nur mit ausdrücklicher Erlaubnis durch die ATD-LabTech GmbH gestattet.
Publishing and reproduction of this drawing, as well as the utilization and communication of its contents are only permitted with the explicit permission of ATD-LabTech GmbH.

Ersatz für:		Material:		Halbzeug:		Datum		Name	
Allgemeintoleranzen DIN ISO 2768-mK		material:		semi finished product:		gez. 19.10.2016		C. Szingsnis	
Projektionsmethode 1		Gewicht (g): 37.71		Art.-Nr.: 20_305		gepr. 09.11.2016		G. Pfeifer	
Schutzvermerk DIN ISO 16016 beachten		weight:							
		Benennung:		Zeichnungs-Nr.					
		description:		drawing number:					
		3D-Bracket - w/o Offset - THOR-50th lower Thorax-left		B04_001_012.02					
		Blatt-Nr./Anzahl		Format		Maßstab			
		1 / 1		A3		2:1			
02 recommended wiper current from 1 mA to 1 µA		06.10.2017		C. Szingsnis					
01 wire colours according to ICE 60757 weight tolerance +/- 10g		20.04.2017		C. Szingsnis					
Index		Änderungen		Datum		Name			



ALTERNATIVE FOR PART NO. 472-3580 W/O OFFSET