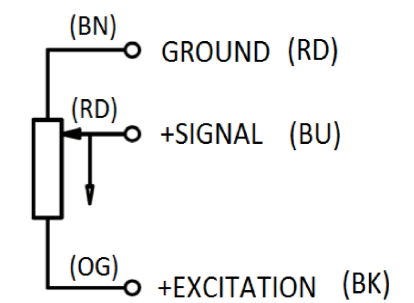


**SPECIFICATIONS ROTATION POT A**

TOTAL MECHANICAL TRAVEL:	200°
TOTAL MEASURING RANGE:	200°
PRE/POST TRAVEL:	0°
OPERATING SPEED:	max 3600 °/s
TOTAL RESISTANCE:	5000 Ohms ± 20 %
MAX. APPLIED VOLTAGE:	42 V DC
RECOMMENDED WIPER CURRENT:	< 1 µA
INTERFACE:	VOLTAGE DIVIDER
RESOLUTION:	INFINITE
OPERATING TEMPERATURE:	+ 10 °C to + 30 °C
INDEPENDENT LINEARITY:	< ± 0,20 %
WEIGHT:	135 g ± 10 g (LESS CABLES)
HYSTERESIS:	< 1 %
REPEATABILITY:	< 0,1°
OPERATING LIFE:	100 MILLION OPERATIONS
SHOCK RESISTANCE:	200 g

**PIN DESIGNATION POT A**



**VOLTAGE DIVIDER FREE OF LOAD!**

COLOUR ABBREVIATIONS ACCORDING TO VDE AND IEC 60757

**THE 3D-STRACK ADAPTION WS 50th SHOULDER IS AN ROTATION TRANSDUCER**

**SPECIFICATIONS ROTATION POT B**

PLEASE NOTE THE DATASHEET OF THE CONTELEC PD 210-K04B ROTATION RATE SENSOR

**All values specified in this data sheet for linearity and lifetime are only valid for a sensor used as a voltage divider with virtually no load applied to the wiper (Ie < 1 µA)**

Oberflächenbehandlung:		Wärmebehandlung:			
Oberflächenangaben ISO 1302	√ = √Rz 100	∇ = √Rz 63	× = √Rz 25	∨ = √Rz 16	∩ = √Rz 6,3
Allgemeintoleranzen DIN ISO 2768-mK		Material:	Halbzeug:	Datum	Name
Projektionsmethode 1 Schutzvermerk DIN ISO 16016 beachten		material:	semi finished product:	gez. 20.02.2016	G. Pfeifer
Bohrungen und Gewinde ohne angeben: √Rz 63		Gewicht (g):	136.62	gepr. 23.11.2016	S. Trippel
Passungen und Passbohrungen ohne angeben: √Rz 6,3		Benennung: description: <b>3D-STRACK Adaption WS 50th Shoulder 20_203</b>			
		Blatt-Nr./Anzahl	1 / 1	Zeichnungs-Nr. drawing number: <b>B04_001_016</b>	
02	Maß 21,5	02.06.2017	C. Szingsnis	letzte Speicherung durch: Christoph.Szingsnis	
01	wire colours according to ICE 60757 weight tolerance +/- 10g	20.04.2017	C. Szingsnis	R:\CAD\B04_S-TRACK\B04_001_016_3D-Adaption-WS-Schulter	
Index Änderungen		Datum	Name	Format scale <b>A3 1:1</b>	



ATD-Labtech GmbH  
Dieselstraße 1  
63843 Niedernberg

**ALTERNATIVE FOR IF-368 WITH SHOULDER BRACKET 3670-23**