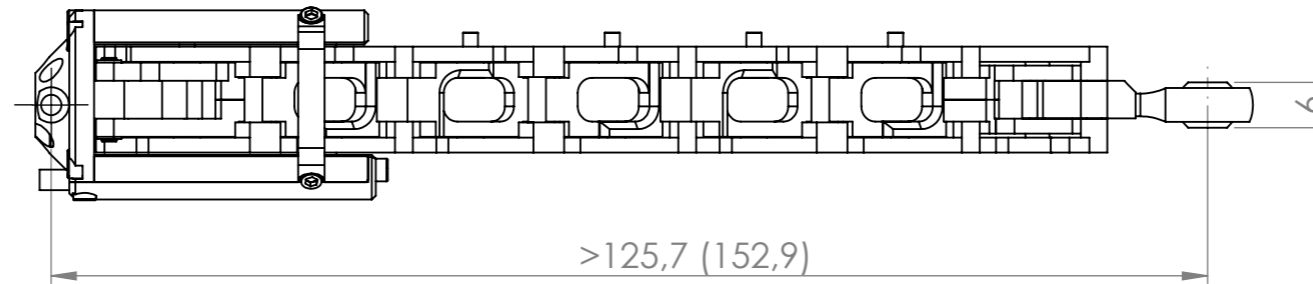
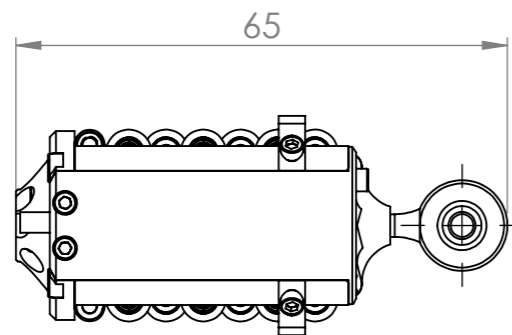
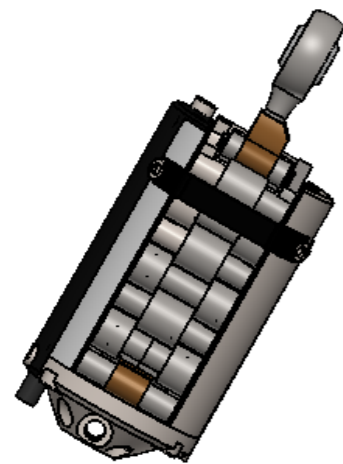


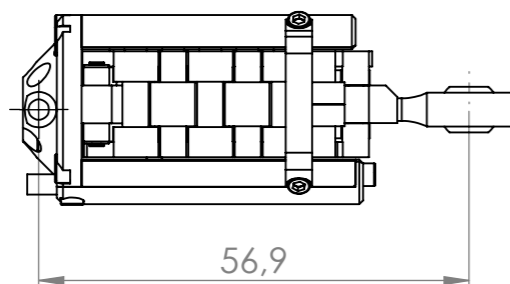
FULLY EXTENDED



>125,7 (152,9)



FULLY COLLAPSED



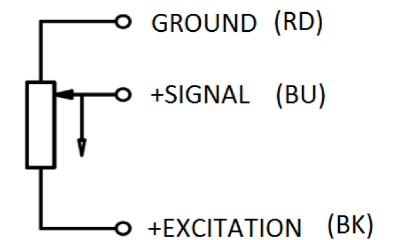
56,9

ALTERNATIVE FOR IR-TRACC
IF-362 REV AND SA 572-S37 REV. B

SPECIFICATIONS

TOTAL MECHANICAL TRAVEL:	96 mm
TOTAL MEASURING RANGE:	96 mm
PRE/POST TRAVEL:	0 mm
OPERATING SPEED:	max 20 m/s
TOTAL RESISTANCE:	1000 Ohms ± 20 %
MAX. APPLIED VOLTAGE:	42 V DC
RECOMMENDED WIPER CURRENT:	< 1 µA
INTERFACE:	VOLTAGE DIVIDER
RESOLUTION:	INFINITE
OPERATING TEMPERATURE:	+ 10 °C to + 30 °C
INDIPENDENT LINEARITY:	< ± 1 %
WEIGHT:	105 g ± 10 g (LESS CABLES)
HYSTERESIS:	< 1 %
REPEATABILITY:	< 0,1 mm
OPERATING LIFE:	ONE BILLION OPERATIONS
SHOCK RESISTANCE:	200 g

PIN DESIGNATION



VOLTAGE DIVIDER FREE OF LOAD!

COLOUR ABBREVIATIONS ACCORDING TO VDE AND IEC 60757

THE S-TRACK IS AN LINEAR POTENTIOMETRIC
DISPLACEMENT TRANSDUCER

All values specified in this data sheet for linearity and lifetime are only valid for a sensor used as a voltage divider with virtually no load applied to the wiper (I_e < 1 µA)

Oberflächenbehandlung:		Wärmebehandlung:			
Oberflächenangaben ISO 1302	√ = √ Rz 100	W = √ Rz 63	X = √ Rz 25	Y = √ Rz 16	Z = √ Rz 6,3
Allgemeintoleranzen DIN ISO 2768-mK		Material:	Halbzeug:	Datum	Name
Projektionsmethode 1 Schutzvermerk DIN ISO 16016 beachten		material:	semi finished product:	gez. 30.11.2016	C. Szingsnis
Bohrungen und Gewinde ohne angeben:		Gewicht (kg): 0,11	weight:	gepr.	
Passungen und Passbohrungen ohne angeben:		Benennung:			
√ Rz 6,3		description:			
√ Rz 6,3		S-TRACK 75 mm - Q3 + Q6			
		Blatt-Nr./Anzahl	Zeichnungs-Nr.		
		1 / 1	drawing number:		
		B04_001_001			
		letzte Speicherung durch: Christoph.Szingsnis			
		R:\CAD\B04_S-TRACK\B04_001_001_S-TRACK Q3+Q6			
01	wire colours according to ICE 60757 weight tolerance +/- 10g	08.05.2017	C. Szingsnis	Format	Maßstab
Index	Änderungen	Datum	Name	A3	1:1



ATD-Labtech GmbH
Dieselstraße 1
63843 Niedernberg